

Quelques exemples

Applications typiques

Use (5): Industrial Radiography

Container Type (36): **Exertus - Dual 120**

Container Number (31): **ED60-2365-96548**



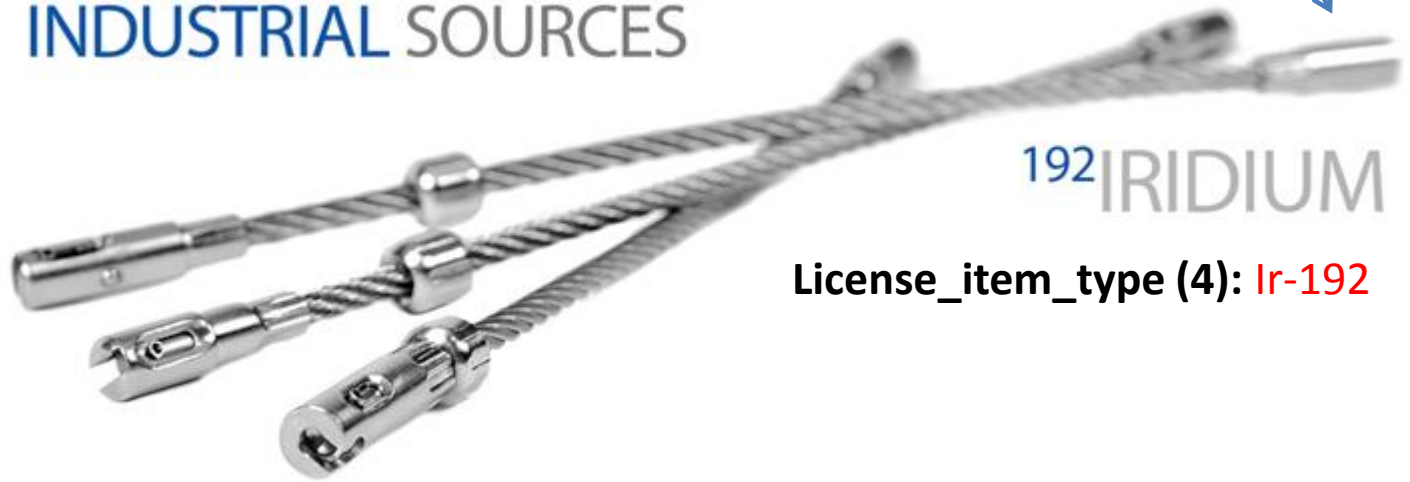
- Container Manufacturer (34): **OSERIX GLOBAL**
- Container Distributer (32): **OSERIX BELGIUM**

Use (5): Industrial Radiography

Unique identification Number (3): AK189

Can be found on documents

INDUSTRIAL SOURCES



192 IRIDIUM

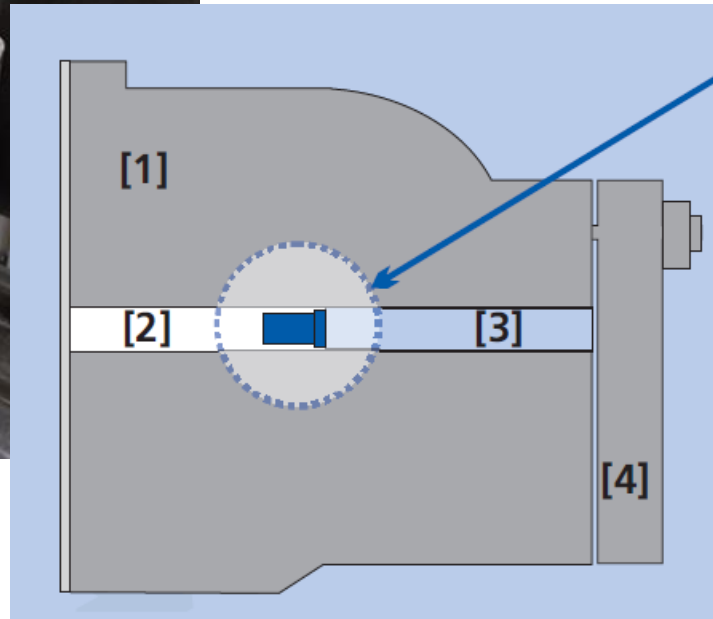
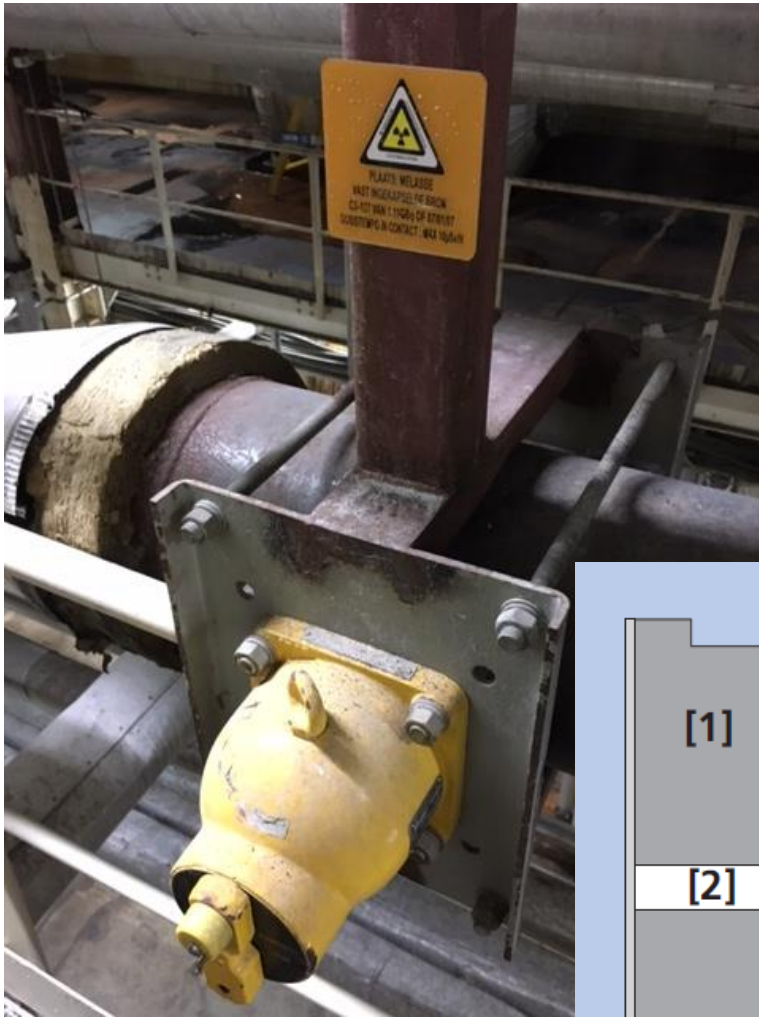
License_item_type (4): Ir-192

- **Manufacturer (9): SOURCE PRODUCTION & EQUIPMENT CO. (SPEC) (LA, USA)**
- **Distributor (7): OSERIX BELGIUM**

List of Approved Manufacturers Sealed Sources

Code	Name
276	CHINA ISOTOPE CORPORATION (CIC) (Beijing, China)
273	ECKERT & ZIEGLER ISOTOPE PRODUCTS (Valencia, Spain)
209	ECKERT & ZIEGLER NUCLITEC (Braunschweig, Germany)
256	INSTITUTE OF ISOTOPE (IZOTOP) (Budapest, Hungary)
254	INTERNATIONAL ISOTOPE INC. (Idaho Falls, USA)
248	IT SERVICES (Haan, Germany)
268	IT SERVICES LEIPZIG GmbH (Leipzig, Germany)
274	JSC ISOTOPE (Moscow, Russia)
238	MALLINCKRODT MEDICAL B.V. (Petten, The Netherlands)
275	MAYAK PRODUCTION ASSOCIATION (Ozyorsk, Russia)
214	NORDION INC. (Ottawa, Canada)
260	NORDION UK, REVISS Services (Buckinghamshire, UK)
211	NTP RADIOISOTOPES (EUROPE) (Fleurus, Belgium)
252	NTP RADIOISOTOPES (Pretoria, South Africa)
255	POLATOM (Otwock, Poland)
213	QSA GLOBAL INC. (Burlington, USA)
253	SOURCE PRODUCTION & EQUIPMENT CO. (SPEC) (LA, USA)
250	UNKNOWN

Use (5): Density Measurement



Unique identification Number (3): AB-123

Must be engraved on source and also on container

Distributor (7): VEGA (Belgium)

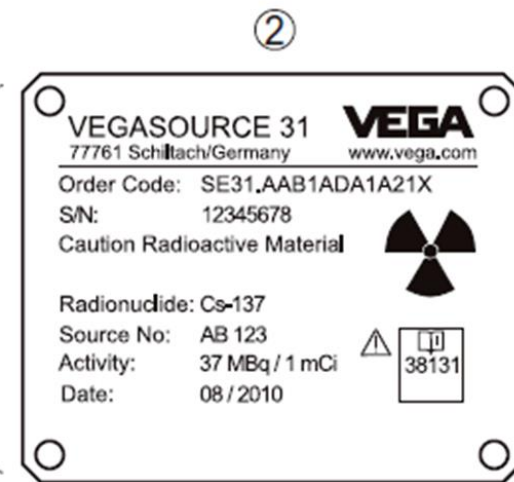
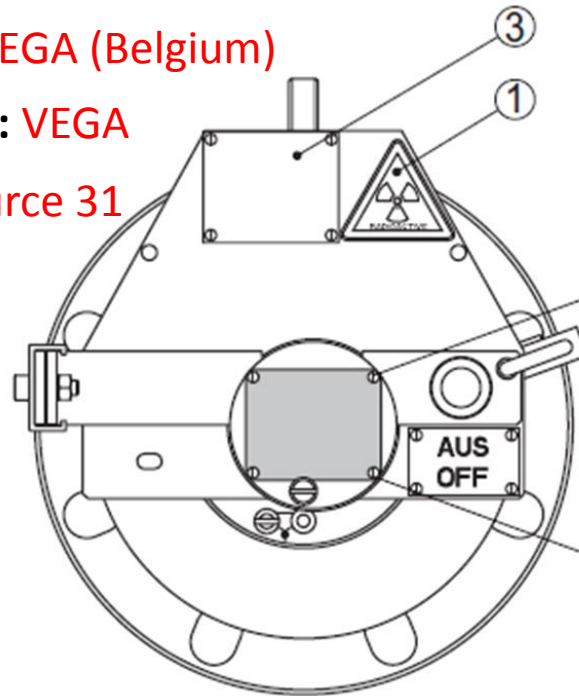
Manufacturer (9): IT SERVICES (Haan, Germany)

Container Number (33): 12345678

Container_Distributor (34): VEGA (Belgium)

Container Manufacturer (36): VEGA

Container Type (38): Vegasource 31



Use (5): Blood irradiation

Unique identification Number (3): ? must be added on the equipment!

Distributor (7): Best Theratronics

Manufacturer (9): Nordion UK, Revis Services

Container_Distributor (32): Best Theratronics

Container Number (31): UNKNOWN

Container Manufacturer (34): Best Theratronics

Container Type (36): Gammacell 3000



Unique Identification Number (3) must be added on the equipment

Use (5): HDR

Unique identification Number (3):

NLF 01 D36G464

Can be found on documents



License_item_type (4): Ir-192

- **Manufacturer (9):** Mallinckrodt Medical B.V. (Petten, The Netherlands)
- **Distributor (7):** Elekta

Container Type (38): MicroSelectron HDR

Container Number (33): serial number



- **Container Manufacturer (36):** Elekta
- **Container Distributer (35):** Elekta

Use (5): medical radiological procedures

Unique identification Number (3):
serial number



- **Manufacturer (9): General Electric**
- **Distributer (7): General Electric**

Use (5): external radiotherapy



- License_item_type (4): Medical linear accelerator
- Manufacturer (9): Varian
- Distributer (7): Varian

Unique identification Number (3):
serial number linac

Use (5): guidance/verification radiotherapy



- License_item_type (4): x-ray device coupled with accelerator
 - Manufacturer (9): Varian
 - Distributer (7): Varian
- Unique identification Number (3):
serial number X-ray

TRANSFERT

SOURCE avec n° série° XYZ transférée de “Exploitant 1” vers “Exploitant 2”

T1

T2

T3

T4



Exploitant 1:

- UIN (3) = “XYZ”
- Status (14): In use
- Container (36): Vegasource 31

Exploitant 1:

- UIN (3) = “XYZ”
- Status (14): Out of use
- Container (36): Vegasource 31

Exploitant 1:

- UIN (3) = “XYZ”
- Status (14): Taken over by Belgian Exploitant
- Container (36): Vegasource 31
- Destination (15): “exploitant 2”

Exploitant 1:

Exploitant 2:

Exploitant 2:

Exploitant 2:

- UIN (3) = “XYZ”
- Status (14): In use
- Container (36): LB 8010

Exploitant 2:

- UIN (3) = “XYZ”
- Status (14): In use
- Container (36): LB 8010

TRANSFERT

SOURCE avec n° serie "XYZ" transférée de "Exploitant 1" vers NIRAS

T1

T2

T3

T4

Exploitant 1:

- UIN (3) = "XYZ"
- Status (14): In use
- Container (36): Vegasource 31

Exploitant 1:

- UIN (3) = "XYZ"
- Status (14): Out of use
- Container (36): Vegasource 31

Exploitant 1:

- UIN (3) = "XYZ"
- Status (14): Source to NIRAS
- Container (36): Vegasource 31

Exploitant 1:

- UIN (3) = "XYZ"
- Status (14): In use
- Container (36): Vegasource 31

Belgoproccess

Belgoproccess

Belgoproccess

- UIN (3) = "XYZ"
- Status (14): In use
- Container (36): Vegasource 31