

Enkele voorbeelden

Typische toepassingen

Use (5): Industrial Radiography

Container Type (36): **Exertus - Dual 120**

Container Number (31): **ED60-2365-96548**



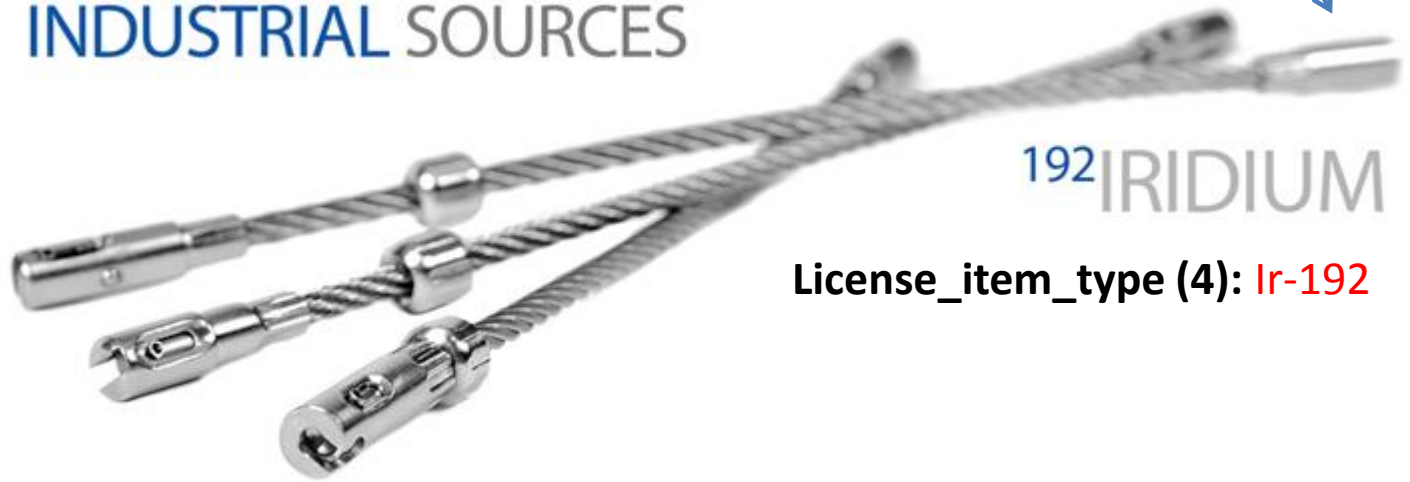
- Container Manufacturer (34): **ENERGOMONTAGE INTERNATIONAL**
- Container Distributer (32): **OSERIX BELGIUM**

Use (5): Industrial Radiography

Unique identification Number (3): AK189

Can be found on documents

INDUSTRIAL SOURCES



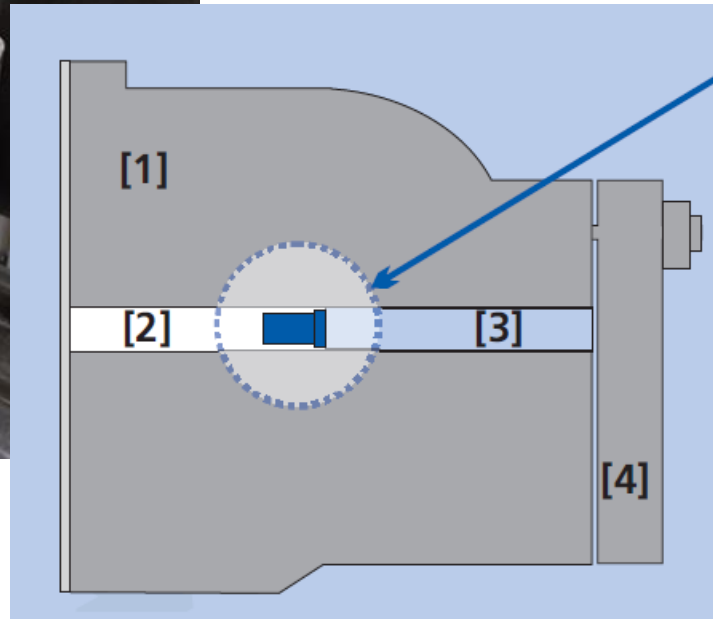
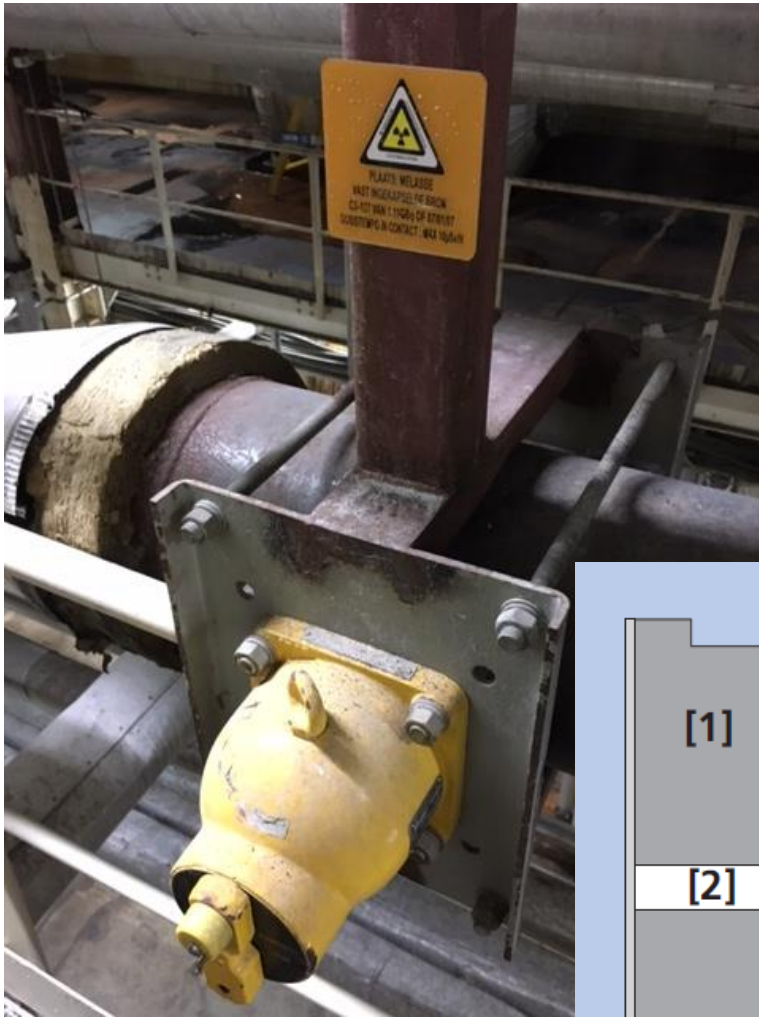
License_item_type (4): Ir-192

- **Manufacturer (9): SOURCE PRODUCTION & EQUIPMENT CO. (SPEC) (LA, USA)**
- **Distributor (7): OSERIX BELGIUM**

List of Approved Manufacturers Sealed Sources

| Code | Name |
|------|---|
| 276 | CHINA ISOTOPE CORPORATION (CIC) (Beijing, China) |
| 273 | ECKERT & ZIEGLER ISOTOPE PRODUCTS (Valencia, Spain) |
| 209 | ECKERT & ZIEGLER NUCLITEC (Braunschweig, Germany) |
| 256 | INSTITUTE OF ISOTOPE (IZOTOP) (Budapest, Hungary) |
| 254 | INTERNATIONAL ISOTOPE INC. (Idaho Falls, USA) |
| 248 | IT SERVICES (Haan, Germany) |
| 268 | IT SERVICES LEIPZIG GmbH (Leipzig, Germany) |
| 274 | JSC ISOTOPE (Moscow, Russia) |
| 238 | MALLINCKRODT MEDICAL B.V. (Petten, The Netherlands) |
| 275 | MAYAK PRODUCTION ASSOCIATION (Ozyorsk, Russia) |
| 214 | NORDION INC. (Ottawa, Canada) |
| 260 | NORDION UK, REVISS Services (Buckinghamshire, UK) |
| 211 | NTP RADIOISOTOPES (EUROPE) (Fleurus, Belgium) |
| 252 | NTP RADIOISOTOPES (Pretoria, South Africa) |
| 255 | POLATOM (Otwock, Poland) |
| 213 | QSA GLOBAL INC. (Burlington, USA) |
| 253 | SOURCE PRODUCTION & EQUIPMENT CO. (SPEC) (LA, USA) |
| 250 | UNKNOWN |

Use (5): Density Measurement



Unique identification Number (3): AB-123

Must be engraved on source and also on container

Distributor (7): VEGA (Belgium)

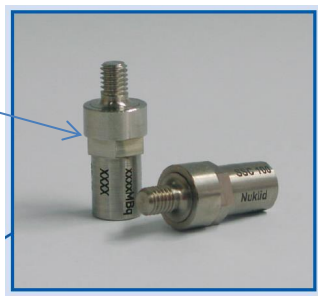
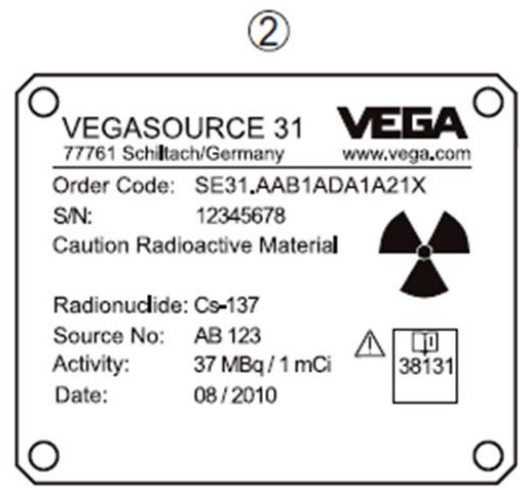
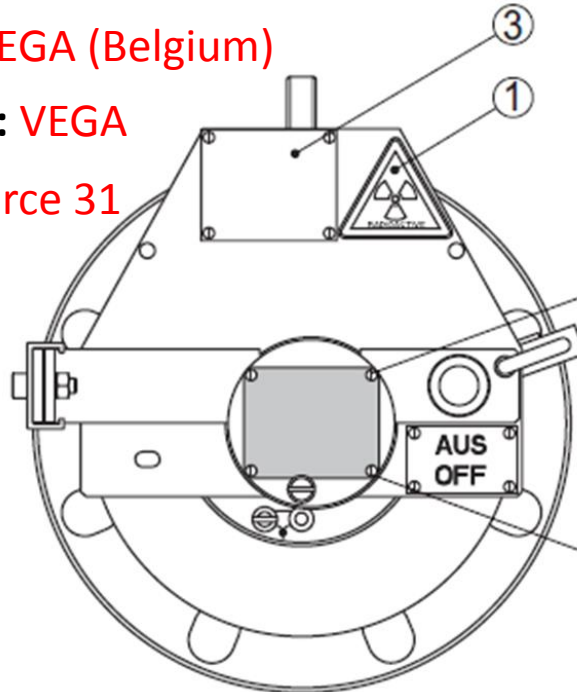
Manufacturer (9): IT SERVICES (Haan, Germany)

Container Number (33): 12345678

Container_Distributor (34): VEGA (Belgium)

Container Manufacturer (36): VEGA

Container Type (38): Vegasource 31



Use (5): Blood irradiation

Unique identification Number (3): ? must be added on the equipment!

Distributor (7): Best Theratronics

Manufacturer (9): Nordion UK, Revis Services

Container_Distributor (32): Best Theratronics

Container Number (31): UNKNOWN

Container Manufacturer (34): Best Theratronics

Container Type (36): Gammacell 3000



Unique Identification Number (3) must be added on the equipment

Use (5): HDR

Unique identification Number (3):

NLF 01 D36G464

Can be found on documents



License_item_type (4): Ir-192

- **Manufacturer (9):** Mallinckrodt Medical B.V. (Petten, The Netherlands)
- **Distributor (7):** Elekta

Container Type (38): MicroSelectron HDR

Container Number (33): serial number



- **Container Manufacturer (36):** Elekta
- **Container Distributer (35):** Elekta

Use (5): medical radiological procedures

Unique identification Number (3):
serial number



- License_item_type (4): **SPECT-CT**
- Manufacturer (9): **General Electric**
- Distributer (7): **General Electric**

Use (5): external radiotherapy



- License_item_type (4): Medical linear accelerator
- Manufacturer (9): Varian
- Distributer (7): Varian

Unique identification Number (3):
serial number linac

Use (5): guidance/verification radiotherapy



- License_item_type (4): x-ray device coupled with accelerator

- Manufacturer (9): Varian
- Distributer (7): Varian

Unique identification Number (3):
serial number X-ray

OVERDRACHT

BRON met serien° XYZ van “Exploitant 1” gaat over naar “Exploitant 2”

T1

T2

T3

T4



Exploitant 1:

- UIN (3) = “XYZ”
- Status (14): In use
- Container (36): Vegasource 31

Exploitant 1:

- UIN (3) = “XYZ”
- Status (14): Out of use
- Container (36): Vegasource 31

Exploitant 1:

- UIN (3) = “XYZ”
- Status (14): Taken over by Belgian Exploitant
- Container (36): Vegasource 31
- Destination (15): “exploitant 2”

Exploitant 1:

Exploitant 2:

Exploitant 2:

Exploitant 2:

- UIN (3) = “XYZ”
- Status (14): In use
- Container (36): LB 8010

Exploitant 2:

- UIN (3) = “XYZ”
- Status (14): In use
- Container (36): LB 8010

OVERDRACHT

BRON met serien° XYZ van "Exploitant 1" gaat over naar NIRAS

T1

T2

T3

T4



Exploitant 1:

- UIN (3) = "XYZ"
- Status (14): In use
- Container (36): Vegasource 31

Exploitant 1:

- UIN (3) = "XYZ"
- Status (14): Out of use
- Container (36): Vegasource 31

Exploitant 1:

- UIN (3) = "XYZ"
- Status (14): Source to NIRAS
- Container (36): Vegasource 31

Exploitant 1:

- UIN (3) = "XYZ"
- Status (14): In use
- Container (36): Vegasource 31

Belgoproces

Belgoproces

Belgoproces

- UIN (3) = "XYZ"
- Status (14): In use
- Container (36): Vegasource 31

Belgoproces:

- UIN (3) = "XYZ"
- Status (14): In use
- Container (36): Vegasource 31